

**Item Number**  
RAM-VB-117

# RAM No-Drill™ Seat Bases

National Products, Inc.

**Vehicle base for the**  
**CHEVROLET CAMARO CAR (1993-2002)**  
**CHEVROLET CAPRICE CAR (1990-1995)**  
**FORD CROWN VICTORIA POLICE INTERCEPTOR CAR (1991-NEWER)**  
**LINCOLN TOWN CAR (2005-NEWER)**

## SPECIFICATIONS

### Placement

Passenger side on the floor, in front of seat

### Drilling Required

No - uses existing seat bolts

### Pole or Pedestal

Included with base

### Seat Configuration

Bucket/Bench

### Weight

10.7 lbs.

### Construction/Finish

Steel/Black Powdercoat

### Dimensions

A = 17.57", B = 5.5", C = 11"

Hole Center = 6.38"

## Features

Installs in minutes with no drilling required

## Misc.

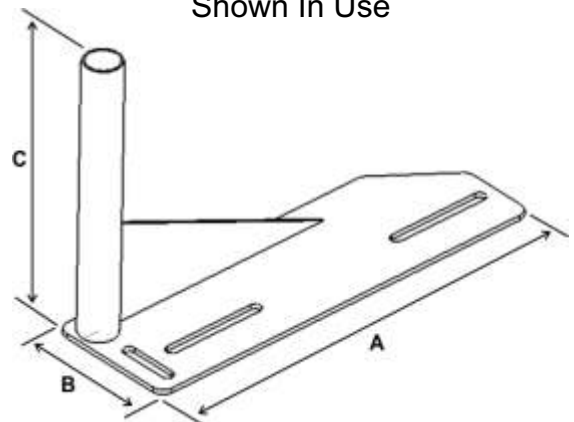
Rugged steel construction

Lifetime warranty

National Products, Inc.  
Phone: 206-763-8361  
Fax: 206-763-9615  
Address: 1205 S Orr St  
Seattle, WA 98108  
Website: [www.ram-mount.com](http://www.ram-mount.com)  
Email: [staff@ram-mount.com](mailto:staff@ram-mount.com)



Shown In Use



RAM-VB-117



**Item Number**  
RAM-VB-117

**RAM No-Drill™ Seat Bases**  
National Products, Inc.

**Vehicle base for the**  
**CHEVROLET CAMARO CAR (1993-2002)**  
**CHEVROLET CAPRICE CAR (1990-1995)**  
**FORD CROWN VICTORIA POLICE INTERCEPTOR CAR (1991-NEWER)**  
**LINCOLN TOWN CAR (2005-NEWER)**

## **INSTALLATION INSTRUCTIONS**

1. Move the passenger seat to the rearmost setting.
2. Remove the front seat rail bolts that fasten the passenger seat brackets to the vehicle floor.
3. Gently lift the front of the seat upward to allow the seat frame to clear the bolts.
4. Place the base between the seat frame and align the holes in the base with the seat bolts.
5. Lower the seat back down over the no drill base and seat bolts.
6. Fully tighten factory hardware to secure base in place along with seat frame.

National Products, Inc.  
Phone: 206-763-8361  
Fax: 206-763-9615  
Address: 1205 S Orr St  
Seattle, WA 98108  
Website: [www.ram-mount.com](http://www.ram-mount.com)  
Email: [staff@ram-mount.com](mailto:staff@ram-mount.com)

